

AC-27

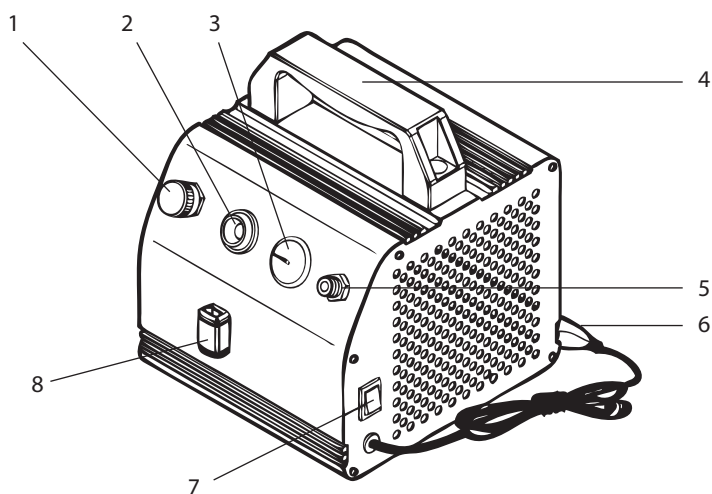
User's Manual

This manual contains important information on product safety, set-up, operation, and maintenance. For optimum performance and safety, read this manual carefully before using this product. Please keep this manual in a safe place for future reference.

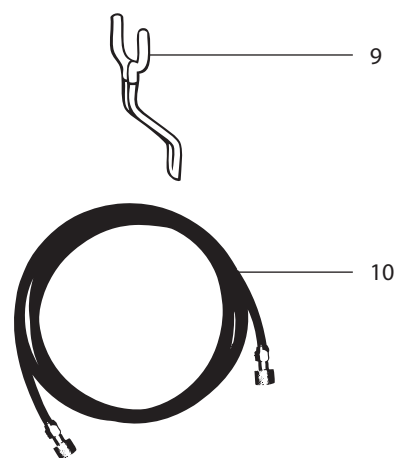
IMPORTANT SAFETY INFORMATION

- When using electrical appliances, basic precautions should always be followed to reduce the risk of damage, fire, electric shock, personal injury or property damage.
- Before connecting the compressor to a power outlet, check if the voltage indicated on the compressor corresponds to the mains voltage (100-120 V or 220-240 V). Using the compressor with the wrong mains voltage could damage the unit, and could cause an electrical fire.
- Do not overload wall outlets, extension cords, or power strips beyond their capacity. This could cause a circuit breaker trip, insufficient voltage supply, or an electrical fire.
- To avoid electric shock, never operate the compressor outdoors when raining, or in wet conditions.
- Always place the compressor on a flat and stable surface.
- Always remain in attendance when the compressor is in operation.
- Never place objects against, or on top of, the compressor. Operate the compressor in an open area without any obstructions that would restrict the flow of fresh air into the compressor.
- Exceeding the pressure rating of pneumatic tools, such as airbrushes, spray guns, or air operated devices, could damage the tool and could also cause serious personal injury. Never exceed the maximum allowable pressure rating recommended by your pneumatic tool's manufacturer.
- Do not insert any foreign objects into the openings of the compressor.
- Do not disassemble the compressor or attempt to modify the compressor in any way.

Product Overview



Included Accessories



Parts List

1	Pressure Adjustment Knob	6	Plug
2	Airbrush holder	7	On/Off Switch
3	Pressure Gauge	8	Airbrush Support Base
4	Handle	9	Airbrush Support
5	Air Outlet	10	Braided Air Hose

Specifications

Motor: 1/10 HP AC

Air flow: 13 - 16 l/min (0.46 - 0.57 cfm) at open flow

Preset max pressure: 3.4 bar (50 psi)

Dimensions: L16 x W15 x H18 cm (6.3" x 5.9" x 7")

Weight: 2.9 kg / 6.4 lbs

AC-27

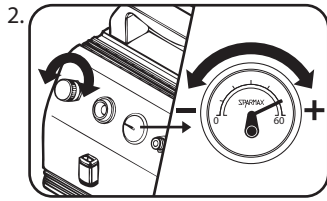
User's Manual

Product Set Up

1. First use: Carefully unpack the unit, verify that all parts listed in the "Parts List" are present, and visually inspect for damage. If there are any signs of damage or if any parts are missing, do not use the product. Contact your retailer or supplier immediately.
2. Locate the compressor in a clean, dry, and well-ventilated area that has adequate air circulation.
3. Place the airbrush support into Airbrush Support Base.
4. Connect one end of the Braided Air Hose to the Air Outlet and the other end to your airbrush. Make sure all connections are tight.
NOTE: Different adaptors may be required for different airbrush brands and models. If your airbrush needs an adaptor, please contact your local retailer or supplier.

Product Operation

1. Plug the compressor into a power outlet. Turn the compressor on by pressing the On/Off Switch.



2. Adjust air pressure by turning the Pressure Adjustment Knob clockwise to increase air pressure ("+" sign) or counter-clockwise to decrease air pressure ("- sign).

NOTE: Adjust pressure only when the compressor is turned on and connected to an airbrush, with trigger depressed.

3. The Pressure Gauge gives continuous, real-time readings of current air pressure delivery.
4. It is recommended that the compressor run continuously for no more than 30 minutes. After 30 minutes of continuous operation, use the On/Off Switch to turn off the unit. Allow the unit to cool for 10 to 15 minutes before turning the compressor back on. Before re-starting the compressor, release any residual compressed air by depressing the airbrush trigger.
5. The compressor has a thermal safety switch which automatically ceases compressor operation when the compressor becomes too hot. If this happens, use the On/Off Switch to turn off the compressor. Allow the unit to cool for 10 to 15 minutes before turning the compressor back on.
6. After each use, make sure the unit is turned off and unplugged. Also be sure to release any remaining air from the compressor by depressing the airbrush trigger.
7. When the airbrush is not in use, it may be placed into the Airbrush Holder.

Troubleshooting

If airflow is not sufficient ...

- Check for air leaks where air can be heard escaping, or apply a soap and water solution on all connections. Resulting bubbles indicate an air leak. Tighten fittings where necessary.
- PTFE seal tape is recommended for all threaded connections.
- Replace the Air Hose if the hose is torn or damaged.

If compressor shuts off frequently, the motor fails to come up to full speed or becomes hotter than usual during operation ...

- Disconnect other appliances that are using the same power outlet.
- Avoid using extension cords.

If problems arise which you cannot solve with the information provided above, please contact your retailer or supplier for assistance. Do not attempt to fix the device yourself. Improper operation and/or dismantling of the device may damage the compressor. If any parts/accessories are damaged, please contact your retailer or supplier for replacement or repair.