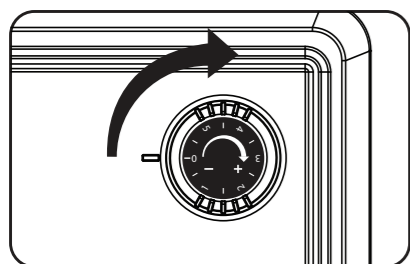


KIT SET UP

1. Plug the compressor into a wall socket that supplies matching voltage and frequency to those indicated on the voltage label of the unit.
2. Screw the two ends of the hose to the airbrush and compressor respectively.
3. Add acrylic color into the cup, and make sure it is a milky consistency. If not, add proper thinner to dilute.
***Colors from the kit can be used directly after shaking well or diluted using the Cleaner/Thinner included or Water.**

OPERATION

1. Flip the On/Off Switch to I (On) to turn on the compressor.
2. To use airbrush with pre-installed dual action function: press the push button for air only, then pull back for paint. Pull back further for more paint.
3. To use airbrush with single action: unscrew dual action air valve counterclockwise and install single action air valve set clockwise. Air is released continuously from the airbrush. Pull back the push button for paint.
CAUTION: DO NOT flick the push button or lift your finger before returning to the starting position in front.
4. For MAX-3 airbrush, the preset color flow control handle allows you to consistently create the same line when held at the same distance from the spray object by limiting how far the push button can be pulled back.
5. To adjust working pressure, while pressing down on the airbrush push button: turn the Pressure Knob clockwise to increase, counter-clockwise to decrease to find the best working pressure for your application.
6. The line on the left of the Knob serves as benchmark. Read the corresponding scale mark on the Knob that aligns to it for future reference.



7. Position the stencil on the object desired and fix it in place either by hand, via masking tape, or other appropriate means that will not cause damage to the object after removal. Make sure it can temporarily adhere to the surface with minimal gap for better results, otherwise the spray may get under the stencil during airbrushing.
8. Hold the airbrush at a 90° angle to the stencil, pull back the push button slightly, and spray over the cut-out spaces of the stencil with your desired color using a gentle, sweeping motion. You may like to airbrush different parts of the stencil with different colors, and/or make several passes over the same area to intensify the color.
9. When airbrush is not in use, place into Airbrush Holder on Handle.
10. Continuous operation of the compressor is suggested for no more than 30 minutes. After 30 minutes, turn off the compressor by flipping the On/Off Switch to 0 (OFF), and allow it to cool for 10~15 minutes before turning it back on.
11. For safety purpose, the compressor is equipped with a thermal switch. If the temperature rise reaches the thermal limit, the compressor will shut down automatically. Turn off the compressor and allow it to cool for 10~15 minutes before turning it back on.
12. At the end of each session, turn off, unplug the compressor, and release any remaining pressure by pressing the airbrush push button.

AIRBRUSH CLEANING

Basic cleaning tips BETWEEN color change and AFTER each session:

1. Spray unwanted colors into the airbrush cleaning pot.
2. Mix proper cleaner with remaining color in cup using the small brush included with the airbrush (Part #14).
3. Spray the mixed solution into the airbrush cleaning pot.
4. Spray cleaner through the airbrush until the spray is clear, repeat if necessary.

Use of cleaning brush set in case of heavy blockage in paint passage:

After removing the needle and nozzle carefully and soaking it with cleaner for up to 10 minutes maximum, use the cleaning brush set included in this kit, select the suitable size for your airbrush paint passage, dip it in cleaner, insert from the front opening that reveals after nozzle removal, and move back and forth gently several times to remove dried paint.

Scan QR code below for additional details on use of airbrush and more thorough cleaning process.



MAX-3



HB-040

TROUBLESHOOTING FOR COMPRESSOR

For issues including, but not limited to the below, please turn off the compressor, contact the original seller with a description of the issue encountered, serial number on the voltage label, working conditions, i.e. frequency and duration of each continuous use, purchase date, and how long was the unit used since initial purchase.

1. No pressure.
2. Low pressure.
3. Motor doesn't run, note whether there is humming sound.



ARISM MINI KIT
Christmas Edition

User Manual

Congratulations on owning the special edition ARISM MINI CHRISTMAS KIT!

This manual contains important information on the correct operation, maintenance and safety information of the compressor and airbrush, all of which should be strictly adhered to. Failure to do so may cause damage of product and/or potential hazards which are not covered under SPARMAX warranty.

Each SPARMAX compressor and airbrush are tested and fully inspected to ensure its quality and performance are up to strict standards at the time of factory dispatch.

KIT CONTENT

Upon unboxing, make sure all items below are present and in good condition.

Any transportation damages should be reported immediately to the original seller.

Read through this manual carefully on how to operate and use the products properly.

- Air compressor: ARISM MINI, see box for color
- Airbrush: MAX-3 or HB-040, see box for model
- SCP-700 Cleaning pot
- Cleaning brush set
- Airbrush color * 2
- Cleaner/Thinner
- Stencil * 2

IMPORTANT SAFETY INFORMATION - COMPRESSOR

WARNING:

DO NOT apply voltage and frequency different from those specified on voltage label at the bottom of the unit.

CAUTIONS:

- ONLY** operate the compressor in dry, well-ventilated areas on a flat surface.
- DO NOT** leave the compressor in operation unattended.
- DO NOT** insert any foreign objects into the compressor or disassemble/modify/repair it in any way.
- DO NOT** touch the compressor during or soon after operation since it will become hot.
- STOP** and turn off the compressor immediately if burnt odor, white smoke, odd noises, or other abnormalities are detected.

NOTE: Emission of an oil-like odor during the first few uses of a new unit is normal. The odor will gradually lessen and disappear.

IMPORTANT SAFETY INFORMATION - AIRBRUSH

WARNING:

DO NOT remove the nozzle unless necessary.

CAUTIONS:

- DO NOT** allow colors to sit idle in the cup.
- Use **ONLY** airbrush colors and proper airbrush cleaner/thinner.
- Needle and nozzle are delicate parts to be treated carefully and gently, and may suffer damage if undergone collision or impact, being overtightened in the case of the nozzle, and will naturally wear out over time due to use. In the necessary case of nozzle removal to replace a damaged nozzle, or due to heavy blockage in the paint passage despite repeating with the more thorough cleaning process, use the wrench included with the airbrush to gently remove the nozzle with minimal force by turning counterclockwise, and make sure **NOT** to overtighten when turning clockwise to assemble the nozzle.

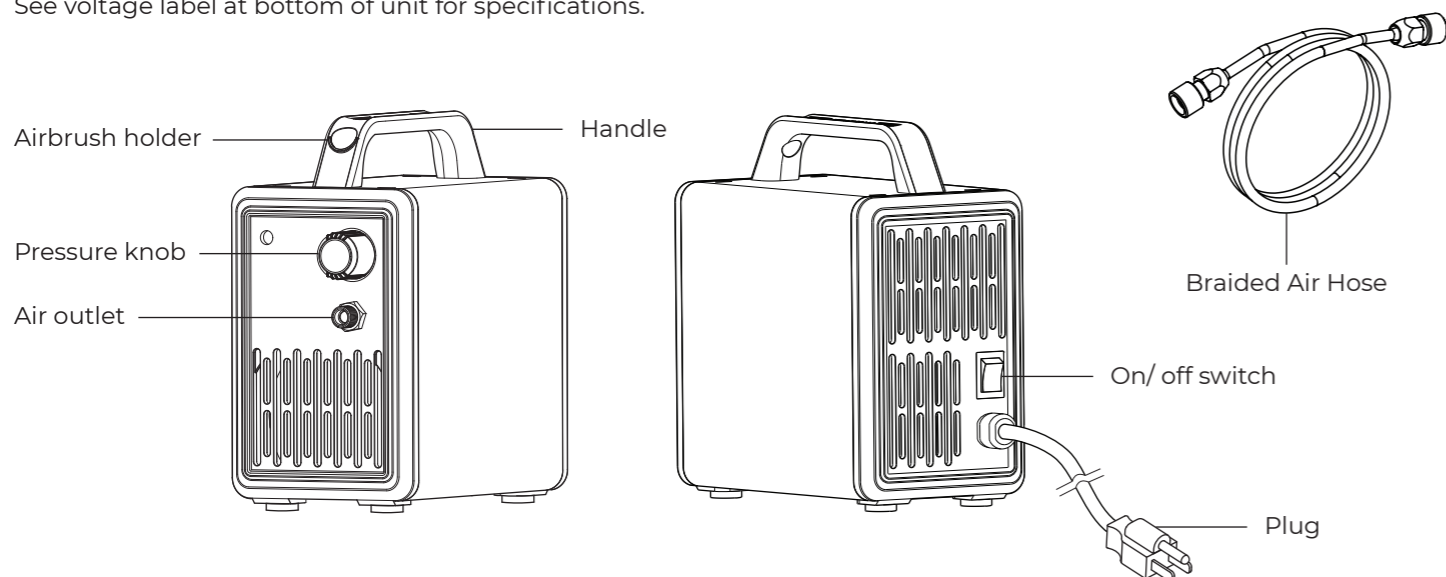
***To ensure safe removal and assembly of the nozzle without damage, check with your seller if they carry the Dual Head Airbrush Tool.**

WARRANTY

Each SPARMAX airbrush and compressor are tested and fully inspected to ensure its quality and performance. Warranted for TWO years from date of factory dispatch against workmanship or material defect resulting in inoperable airbrush or compressor. Exclude parts subject to wear such as needles, nozzles, o-rings of airbrush & piston set of compressor, damage or loss caused by improper use, unauthorized alteration and negligence.

COMPRESSOR PART LIST

See voltage label at bottom of unit for specifications.

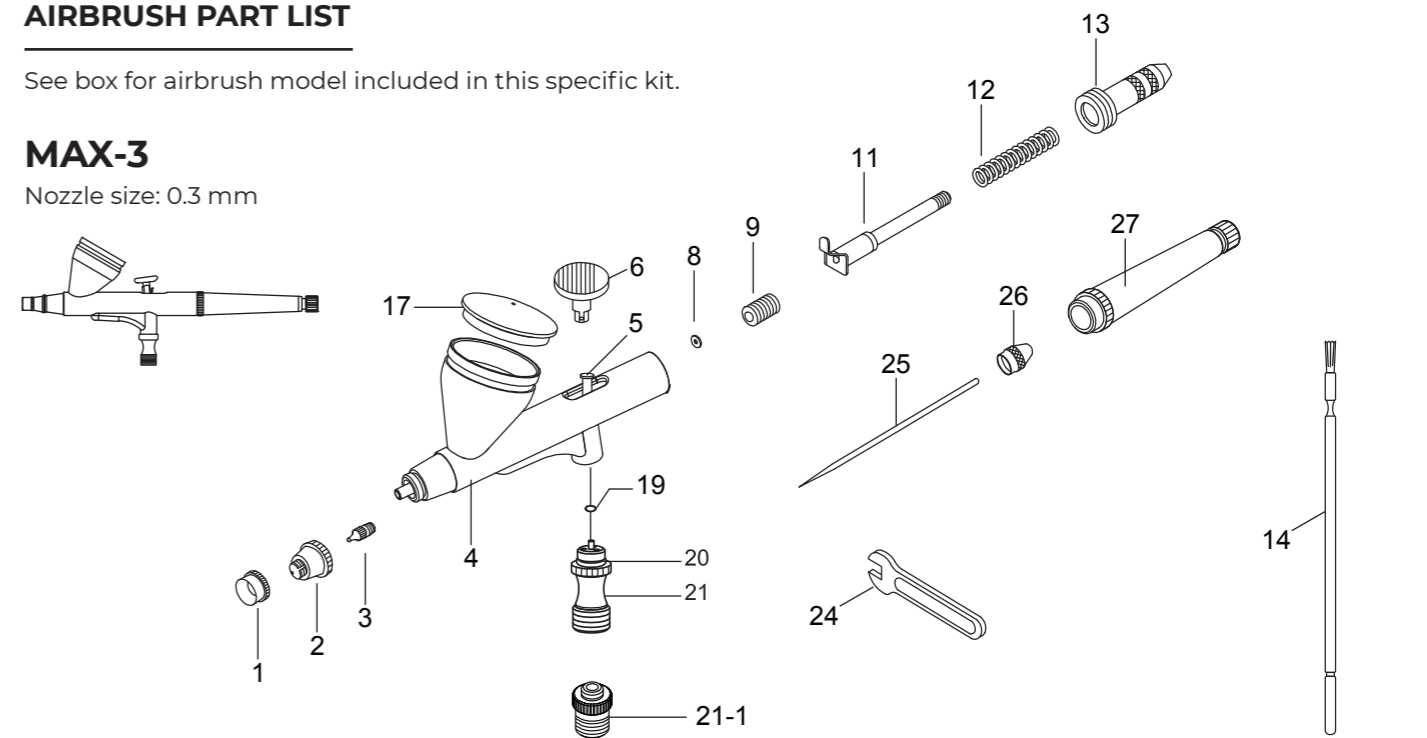


AIRBRUSH PART LIST

See box for airbrush model included in this specific kit.

MAX-3

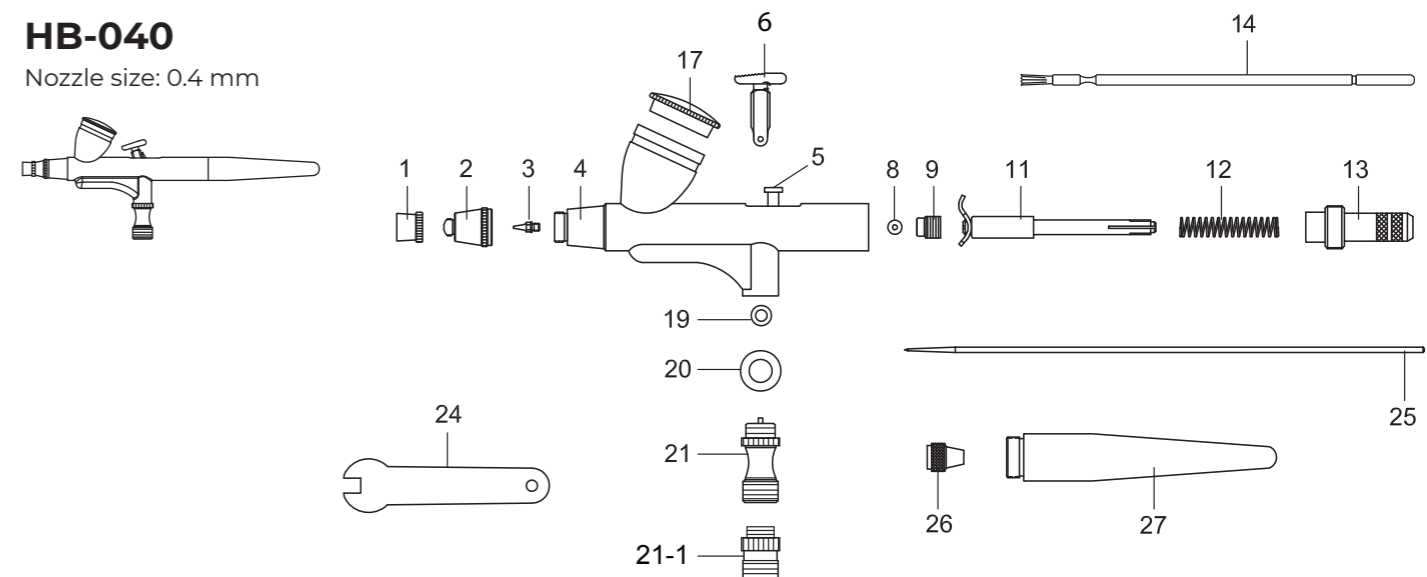
Nozzle size: 0.3 mm



INDEX	DESCRIPTION	INDEX	DESCRIPTION	INDEX	DESCRIPTION
1	Needle cap	9	Needle guide	20	Air valve o-ring
2	Nozzle cap	11	Needle chucking guide	21	Air valve
3	Nozzle	12	Spring	21-1	Extra single action air valve set
4	Body	13	Spring case	24	Wrench
5	Piston	14	Brush	25	Needle
6	Push button	17	7 cc cup cover	26	Needle chucking nut
8	O-ring for needle guide	19	Piston o-ring	27	Handle

HB-040

Nozzle size: 0.4 mm



INDEX	DESCRIPTION	INDEX	DESCRIPTION	INDEX	DESCRIPTION
1	Needle cap	9	Needle guide	20	Air valve o-ring
2	Nozzle cap	11	Needle chucking guide	21	Air valve
3	Nozzle	12	Spring	21-1	Extra single action air valve set
4	Body	13	Spring case	24	Wrench
5	Piston	14	Brush	25	Needle
6	Push button	17	2 cc cup cover	26	Needle chucking nut
8	O-ring for needle guide	19	Piston o-ring	27	Handle