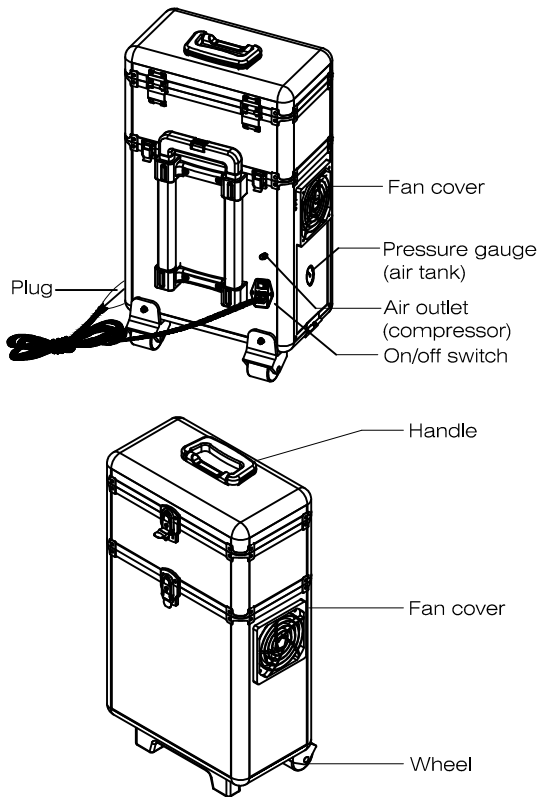


# TWIN CYLINDER AC-500 MB (MB-620)

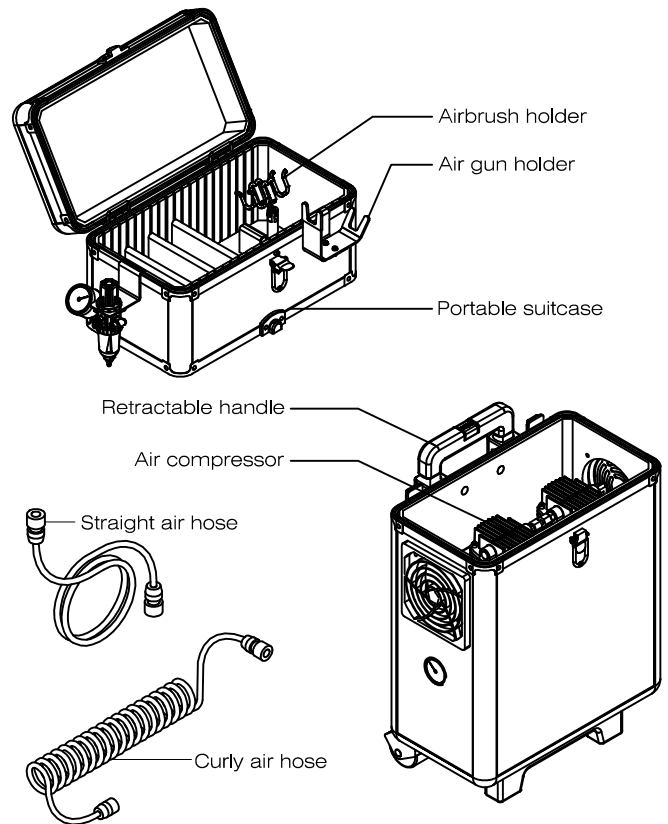
## MINI AIR COMPRESSOR PART LIST

CE order No.199950137  
 CSA file No.202925

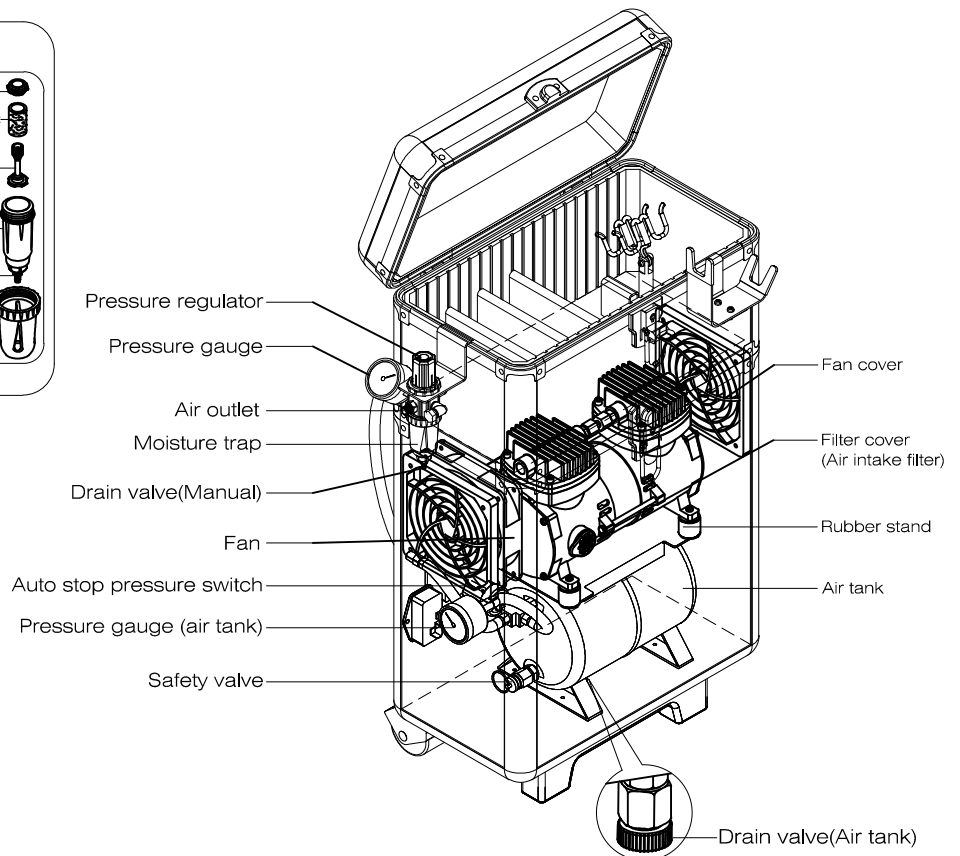
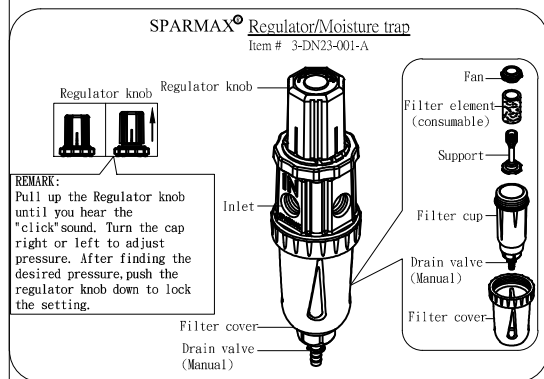
### (A) Exterior Appearance



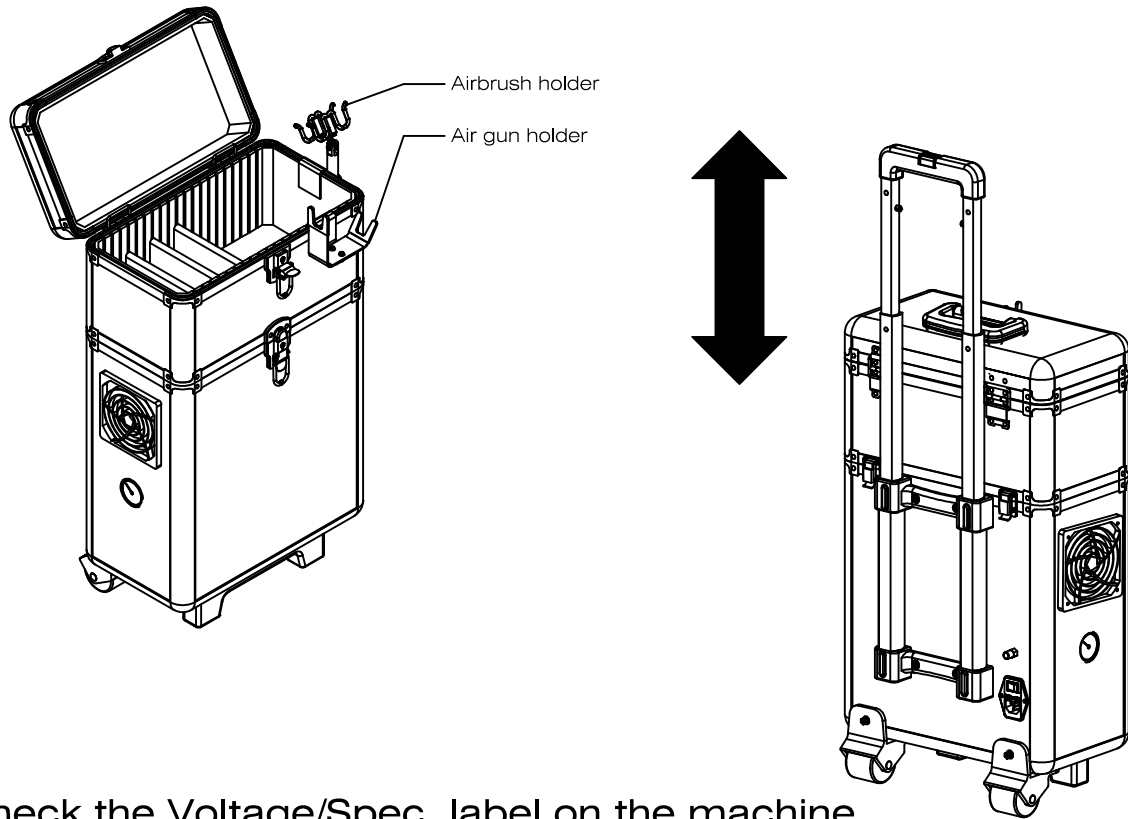
### (B) Accessory Synopsis



### (C) Parts Name



# TWIN CYLINDER AC-500 MB (MB-620)



°Please check the Voltage/Spec. label on the machine

## APPLICATION PRECAUTION

- 1) Carefully unpack the machine and check if any part is damaged during transportation. Any damage should be reported immediately to the service agent.
- 2) Please remove the packaging foam on top of the motor in the bottom cabinet before use, to prevent danger of the foam melting due to high temperature caused by operation of the machine.
- 3) Plug the compressor into mains supply, making sure the voltage is correct. Screw one side of the air hose onto the compressor outlet and connect the other end to the airbrush. (To connect to two airbrushes, unscrew the outlet cap so another hose can also be connected to an air outlet.) To make sure all connections are tightened, it is also recommended to use Plumbers Teflon Tape on all threaded connections. (Extra fittings may be required for various airbrush brands, models, please check with the distributors for supply.)
- 4) Turn on the machine and work in a well ventilated, clean area and away from wet surfaces.
- 5) The compressor has a thermal switch that automatically shuts off itself when it becomes overheated or lacks voltage. Additionally, this model is equipped with an auto stop pressure switch. When the trigger of the airbrush is released, the compressor will stop automatically.
- 6) Adjust the pressure by pulling up the regulator knob to turn clockwise for more air, and counter-clockwise for less air. Lock the desired pressure into position by pushing the knob back down until it clicks. Adjust pressure only when the compressor is turned on and connected to the airbrush.
- 7) Do not touch the air compressor during or soon after use as it may become hot.
- 8) Do not use any lubricants, or spray flammable, toxic materials as they may damage the air compressor.
- 9) When restarting the compressor during operation, always release the compressed air from the airbrush first and then turn on again.
- 10) In case the auto stop pressure switch malfunctions, do not allow the motor to operate over 100 psi.
- 11) After finishing with the compressor, turn the switch to off position. Drain the tank by the end of the day's use to prevent corrosion. Inspect the tank for unsafe conditions such as rust, and cracks. Never weld or drill holes in an air tank.
- 12) Improper operation and dismantling of the parts by the user might damage the compressor. If any parts of the machine are damaged, it must be sent to the service agent for replacement or repair to avoid hazard. Do not attempt to fix the machine without consulting the service agent first.